

The new 2008  
BMW 5 Series Sedan

528i  
528xi  
535i  
535xi  
550i



The Ultimate  
Driving Machine®

**bimmerfest**

Bringing the BMW community together



Revolutionary performance; revelatory style.

**Fresh ideas.**



We've planted more power under the hood.

**Fast company.**



Manual, STEPTRONIC automatic, or Sport Automatic 6-speed transmission?

**Freedom of choice.**



In addition to color, upholstery and comfort features, BMW lets you...

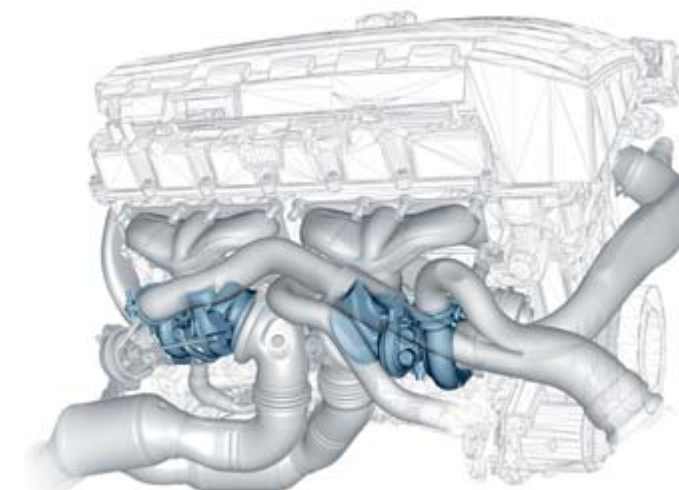
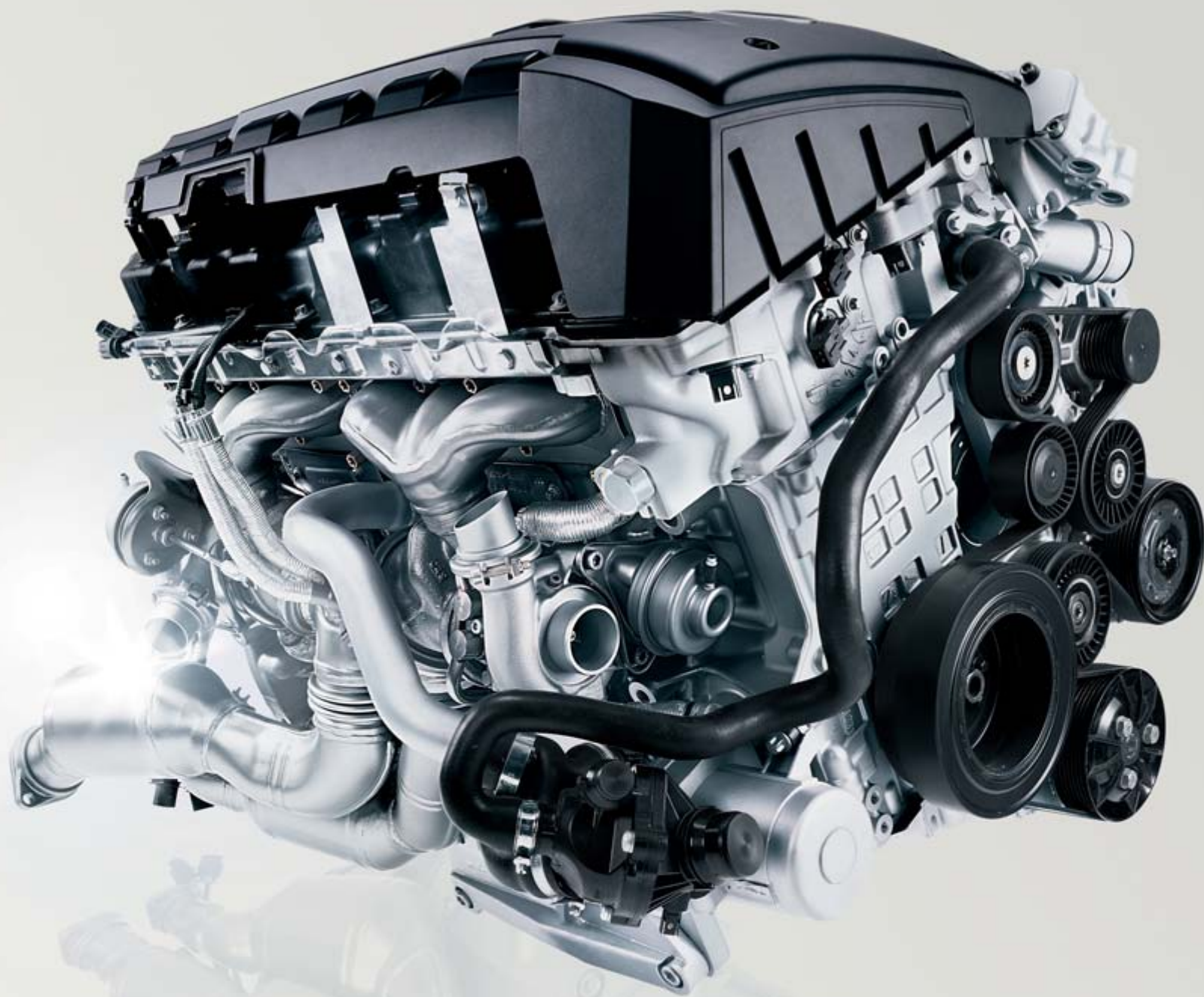
**Personalize your performance.**



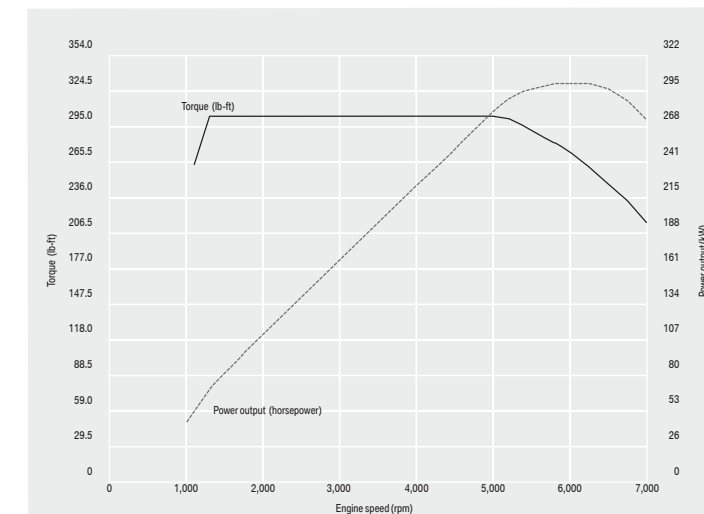


Enjoy inner control.

**Luxury within your reach.**



Fast buildup of pressure: the two parallel turbochargers (shown in blue) make a key contribution to the outstanding responsiveness of the 535i/535xi's inline six-cylinder engine.



Portrait of a masterpiece: the 535i/535xi twin-turbo engine produces 300 horsepower at 5800 rpm, and quickly develops 300 lb-ft of torque at 1400 rpm, which continues without fading through to the 5000 rpm range. With such a broad range of powerful torque, you can enjoy smooth, robust acceleration in any gear, at any speed.

## The challenge: Increased power and torque. Decreased 0-60 times. The result: Mission accomplished.

Engines are our passion. That's why a BMW engine does not just deliver power and performance – it does so with smoothness and efficiency. Our ongoing challenge: to improve each of these characteristics with the introduction of every new engine. And in the 2008 5 Series, we have definitely achieved this goal.

Beneath the long hoods of the 5 Series Sedans lie three of the world's most sophisticated engines. Generating 300 horsepower and 300 lb-ft of torque, the revolutionary twin-turbo in the 535i/535xi accelerates with a force that throws you back in your seat and doesn't stop until redline. Turbo lag is a thing of the past – thanks to BMW's inspired use of two turbochargers, all you experience is strong, quick acceleration on demand, with the 535i reaching 60 mph in just 5.6 seconds.<sup>1</sup> BMW engineers have also overcome the traditionally poor gas mileage of turbocharging. By using a high-precision piezo fuel-injection system, every ounce of fuel is maximized. The lightweight aluminum engine block, extra-light camshafts, and BMW's Double-VANOS technology further enhance its smooth power delivery and lowered emissions. And with the engine's inline configuration, it runs with a smoothness not possible in a V-6.

Hit the accelerator of the 528i, and in 6.5 seconds,<sup>2</sup> you've reached 60 mph, thanks to its potent 230-horsepower engine. The lightweight composite magnesium/aluminum engine block adds to the 528i/528xi's spirited acceleration and nimble handling. And with 200 lb-ft of torque, the power pours on early and strong, and continues throughout the power band.

Refined power and unmatched performance: the hallmark of the 550i Sedan, courtesy of its mighty 4.8-liter V-8 powerplant that produces 360 horsepower at 6300 rpm and 360 lb-ft of torque at just 3400 rpm. Another power-increasing feature is a two-stage intake manifold that provides two different intake lengths: one for low to medium speeds, and the other for high engine speeds.

The 528i/528xi and 550i models offer BMW's revolutionary Valvetronic electronic valve control system, which provides fully variable valve lift control to help the engine "breathe" more easily. You enjoy greater power, higher torque, quicker engine response, a smoother idle, and optimized fuel efficiency. Another inspired technology incorporated into all BMW engines is Double-VANOS, an engine management system that allows the engine to "steplessly" choose the valve timings for both intake and exhaust camshafts.

The 2008 5 Series channels power through a choice of 6-speed transmissions. The smooth-shifting manual transmission is standard<sup>3</sup>; the STEPTRONIC automatic, with its new, ergonomically designed electronic shift knob, is now offered as a no-cost option. A new Sport Automatic, with shift paddles on the steering wheel, is available as an option in the 535i and 550i.<sup>4</sup>

<sup>1</sup>Manual transmission (available as of Sept. 2007 production); 5.7 seconds, STEPTRONIC automatic. BMW AG test results. Obey local speed laws and always wear safety belts.

<sup>2</sup>Manual transmission; 7.1 seconds, STEPTRONIC automatic. BMW AG test results. Obey local speed laws and always wear safety belts.

<sup>3</sup>535i/535xi: manual transmission available as of September 2007 production.

<sup>4</sup>Requires Sport Package; available as of June 2007 production.

## Because slippery roads love to throw you a curve: The 5 Series Sedan with xDrive all-wheel drive.

BMW's intelligent xDrive all-wheel-drive system<sup>1</sup> takes all-road traction to new heights, while maintaining the 5 Series' legendary agility. On smooth, dry roads, the 528xi and 535xi have the feel of their rear-wheel-drive stablemates. But hit a wet uphill curve, for instance, and even before wheelspin can occur, the xDrive system immediately recognizes any need for a change in power distribution. Almost

instantaneously, xDrive can send more torque to the front axle in order to achieve optimal stability. Should one wheel on an axle spin faster than the other, the brakes can be applied individually, as needed, to bring all wheels back in sync. At any given moment, xDrive is working hard, shifting drive power, reducing over- or understeer, enhancing agility, and providing the best possible traction.

<sup>1</sup>xDrive is standard in 528xi and 535xi; not available in 528i, 535i and 550i.



**By using readings from the Dynamic Stability Control (DSC) sensors and the gas pedal, xDrive continually monitors the vehicle's driving condition. This data is then used to vary power distribution between the two axles, ensuring agile, neutral and forgiving handling at all times.**



■ Standard equipment

□ Optional equipment



■/□ **Xenon Adaptive Headlights** provide brilliant clarity of the road ahead and to the side at night and in conditions with poor visibility. The dynamic auto-leveling feature adjusts for varying passenger and cargo loads, helping to keep headlight glare out of the eyes of oncoming drivers. **BMW Adaptive Headlights** provide optimum road illumination around corners, thanks to an electromechanical control system that directs the headlights into and through the bend as soon as the vehicle begins cornering. (std. 535i/535xi and 550i; opt. on 528i/528xi)



■ **Adaptive Brake Lights** increase vehicle visibility and signal the intensity of your braking action.



■ **Redesigned taillights** add fresh, dramatic flair with raised horizontal ribbing and restyled white reverse lights.



■ **Two-way power glass moonroof** with remote, expanded one-touch operation, slides forward or tilts up to let in as much fresh air and sky as you like, while a wind deflector helps keep the wind out. Includes a sliding interior sunshade.

■ Standard equipment    □ Optional equipment



■ 17 x 7.5 Star Spoke (Style 138) cast alloy wheels with 225/50R-17 all-season tires. (std. on 528i/528xi)



■ 17 x 7.5 Star Spoke (Style 243) cast alloy wheels with 225/50R-17 all-season tires. (std. on 535i/535xi)



■ 17 x 8.0 Star Spoke (Style 245) cast alloy wheels with 225/50R-17 all-season tires. (std. on 550i)



□ 18 x 8.0 Star Spoke (Style 246) cast alloy wheels with 245/40R-18 run-flat performance tires.<sup>1</sup> (incl. in 528i Sport Package, opt. with 528xi Sport Package; spare is a space-saver wheel and tire)



□ 18 x 8.0 front, 18 x 9.0 rear Star Spoke (Style 124) cast alloy wheels with 245/40R-18 front, 275/35R-18 rear run-flat performance tires.<sup>1</sup> (incl. in 535i Sport Package, opt. with 535xi Sport Package; spare is a space-saver wheel and tire)



□ 19 x 8.5 front, 19 x 9.5 rear Double Spoke (Style 172M) cast alloy wheels with 245/35R-19 front, 275/30R-19 rear performance tires.<sup>1</sup> (incl. in 550i Sport Package; spare is a space-saver wheel and tire)

<sup>1</sup>Due to low-profile tires, please note: wheels, tires and suspension parts are more susceptible to road hazard and consequential damages. Performance tires not recommended for driving in ice and snow.

### **550i Sport Package:**

The 550i Sport Package heightens the athletic character of this impressive luxury-performance Sedan. The exterior is enhanced by shadowline trim and larger, more attention-grabbing cast alloy wheels with performance tires.<sup>1</sup> An Aerodynamic package, which includes front and rear fascias and lower side molding, befits the 550i's commanding presence. Adding a Retuned sport suspension calibration and Active Roll Stabilization (ARS) gives the 550i a track-bred feel and enhanced stability. The exhaust has been tuned with a sportier sound, delivered through distinctive 550i exhaust tips. Inside, a 3-spoke, leather-wrapped multi-function sport steering wheel and 20-way power multi-contour front seats underscore its sporting nature, while a shorter throw of the gearshift knob increases driving joy for those who opt for the slick-shifting, 6-speed manual transmission.

<sup>1</sup>Due to low-profile tires, please note: wheels, tires and suspension parts are more susceptible to road hazard and consequential damages. Performance tires not recommended for driving in ice and snow. Spare is a space-saver wheel and tire.

Shown in Carbon Black Metallic paint, exclusive to 550i Sport Package. See page 41 for full listing of available paint colors.



**Aerodynamic package's** front air dam and bumper underscore the purposeful look of the 550i, while providing a visual clue to the power of the 4.8-liter V-8 that resides under the hood.



**19 x 8.5 front, 19 x 9.5 rear Double Spoke (Style 172M) cast alloy wheels with 245/35R-19 front, 275/30R-19 rear performance tires.**<sup>1</sup> (spare is a space-saver wheel and tire)

<sup>1</sup>Due to low-profile tires, please note: wheels, tires and suspension parts are more susceptible to road hazard and consequential damages. Performance tires not recommended for driving in ice and snow.



**3-spoke leather-wrapped multi-function sport steering wheel** lets you keep both hands on the wheel while adjusting various comfort functions, such as radio stations, CD selections and volume.



**20-way power multi-contour front seats** provide optimum lateral support. The seats offer power adjustment for backrest and seat bottom angle; forward/backward and up/down position; thigh, upper back and lumbar support; adjustable sides; and active head restraints.



**Aerodynamic package's** rear spoiler, bumper treatment, and lower side molding are complemented by the handsome 19" Double-Spoke (Style 172M) cast alloy wheels, with 245/35R-19 front and 275/30R-19 rear performance tires.<sup>2</sup>

<sup>2</sup>Due to low-profile tires, please note: wheels, tires and suspension parts are more susceptible to road hazard and consequential damages. Performance tires not recommended for driving in ice and snow. Spare is a space-saver wheel and tire.

### Combinations

Materials	Leatherette <sup>1</sup>		Dakota Leather <sup>2</sup>			
	Beige	Black	Cream Beige	Gray	Natural Brown	Black
<b>Upholstery colors<sup>3</sup></b>						
<b>Exterior color<sup>4</sup></b>						
300 Alpine White Non-metallic <sup>5</sup>		•	•	•	•	•
668 Jet Black Non-metallic <sup>5</sup>		•	•	•	•	•
354 Titanium Silver Metallic <sup>5</sup>			•	•		•
A68 Platinum Gray Metallic <sup>5</sup>			•	•		•
A52 Space Gray Metallic <sup>5</sup>			•	•		•
A53 Platinum Bronze Metallic <sup>6,7</sup>		•	•	•	•	•
A76 Deep Sea Blue Metallic <sup>5</sup>		•	•	•	•	•
A35 Monaco Blue Metallic <sup>6</sup>		•	•	•	•	•
A43 Deep Green Metallic <sup>6</sup>		•	•	•	•	•
416 Carbon Black Metallic <sup>8</sup>			•	•	•	•
475 Black Sapphire Metallic <sup>6</sup>		•	•	•	•	•
<b>Interior trims</b>						
438 Dark Poplar Wood <sup>9</sup>						
437 Light Poplar Wood <sup>10</sup>						
4BY Bamboo Wood <sup>10</sup>						

<sup>1</sup>Leatherette: Standard in 528i/528xi, 535i/535xi.

<sup>2</sup>Dakota Leather: Standard in 550i; optional in 528i/528xi, 535i/535xi and included in Premium Package.

<sup>3</sup>Upholstery and interior colors: Cream Beige Leather upholstery comes with Cream Beige interior color; Beige Leatherette upholstery comes with Beige interior color. Black Leather or Black Leatherette upholstery comes with Black interior color. Natural Brown Leather upholstery comes with Black interior color, which includes a Black/Natural Brown color combination on the door panels. Gray Leather upholstery comes with Gray interior color.

<sup>4</sup>Non-metallic exterior paints are standard; Metallic paints are available at no extra cost.

<sup>5</sup>Alpine White Non-metallic, Jet Black Non-metallic, Titanium Silver Metallic, Platinum Gray Metallic, Space Gray Metallic and Deep Sea Blue Metallic paints: Available or no-cost option on all models, including 550i with or without optional Sport Package.

<sup>6</sup>Platinum Bronze Metallic, Monaco Blue Metallic, Deep Green Metallic and Black Sapphire Metallic paints: Available or no-cost option on all models, except 550i when equipped with optional Sport Package.

<sup>7</sup>Platinum Bronze Metallic paint: Delayed availability.

<sup>8</sup>Carbon Black Metallic paint: Available only on 550i with optional Sport Package.

<sup>9</sup>Dark Poplar Wood trim: Standard in all models.

<sup>10</sup>Light Poplar Wood and Bamboo Wood trims: No-cost option.

Performance and efficiency	528i	528xi	535i	535xi	550i
3.0-liter dual overhead cam (DOHC), 24-valve inline 230-horsepower 6-cylinder engine with composite magnesium/aluminum engine block, Valvetronic, and Double-VANOS steplessly variable valve timing	●	●			
3.0-liter dual overhead cam (DOHC), 24-valve inline turbocharged 300-horsepower 6-cylinder engine with twin-turbo technology, piezo direct injection, and Double-VANOS steplessly variable valve timing			●	●	
4.8-liter, 360-horsepower 32-valve V-8 engine with 4 overhead camshafts, aluminum engine block and cylinder heads, Valvetronic system, 2-stage air intake manifold, and Double-VANOS steplessly variable valve timing					●
Direct ignition system with knock control	●	●	●	●	●
Electronically controlled engine cooling (map cooling)	●	●	●	●	●
6-speed manual transmission	●	●	● <sup>1</sup>	● <sup>1</sup>	● <sup>2</sup>
6-speed STEPTRONIC automatic transmission with Sport and Manual shift modes and Adaptive Transmission Control (ATC)	▲	▲	▲	▲	▲
6-speed Sport Automatic transmission with Sport and Manual shift modes and steering wheel-mounted paddle shifters <sup>3</sup>			○		○

Handling, ride and braking	528i	528xi	535i	535xi	550i
Aluminum double-pivot-type front suspension	●	●	●	●	●
Aluminum 4-link integral rear suspension	●	●	●	●	●
Front and rear anti-roll (stabilizer) bars	●	●	●	●	●
Aluminum front and rear subframes	●	●	●	●	●
Twin-tube gas-pressure shock absorbers	●	●	●	●	●
4-wheel ventilated anti-lock disc brakes (ABS) with Dynamic Brake Control (DBC)	●	●	●	●	●
Sport suspension calibration	□		□		
Retuned sport suspension calibration					□
Active Roll Stabilization (ARS)	□		□		□
Vehicle-speed-sensitive variable-assist (Servotronic), variable-ratio power steering	●	●	●	●	●
Active Steering with Servotronic power assist	○		○		○
Dynamic Stability Control (DSC), including Comfort Stop, Brake Fade Compensation, Start-off Assistant, Brake Drying, and Brake Stand-by features; with Dynamic Traction Control (DTC)	●	● <sup>4</sup>	●	● <sup>4</sup>	●
xDrive all-wheel-drive system		●		●	

- Standard
- Optional
- ▲ No-cost option
- ◇ Included in optional Premium Package
- Included in optional Sport Package
- ★ Included in optional Cold Weather Package

<sup>1</sup> Available as of September 2007 production.  
<sup>2</sup> Sport Package with manual transmission includes shorter shifter.  
<sup>3</sup> Requires Sport Package; available as of June 2007 production.  
<sup>4</sup> Comfort Stop feature not available with xDrive vehicles.

Exterior and aerodynamics	528i	528xi	535i	535xi	550i
17 x 7.5 Star Spoke (Style 138) cast alloy wheels, 225/50R-17 all-season tires	●	●			
17 x 7.5 Star Spoke (Style 243) cast alloy wheels, 225/50R-17 all-season tires			●	●	
17 x 8.0 Star Spoke (Style 245) cast alloy wheels, 225/50R-17 all-season tires					●
18 x 8.0 Star Spoke (Style 246) cast alloy wheels, 245/40R-18 run-flat performance tires <sup>5</sup>	□	○ <sup>6</sup>			
18 x 8.0 front, 18 x 9.0 rear Star Spoke (Style 124) cast alloy wheels, 245/40R-18 front, 275/35R-18 rear run-flat performance tires <sup>5</sup>			□	○ <sup>6</sup>	
19 x 8.5 front, 19 x 9.5 rear Double Spoke (Style 172M) cast alloy wheels, 245/35R-19 front, 275/30R-19 rear performance tires <sup>5</sup>					□
Halogen free-form low-beam headlights	●	●			
Xenon Adaptive Headlights with dynamic auto-leveling	○	○	●	●	●
Automatic headlight control	●	●	●	●	●
High-pressure headlight cleaning system	★	★	★	★	★
Halogen free-form foglights	●	●	●	●	●
Park Distance Control (front and rear) with graphic display	○	○	○	○	●
Rain-sensing windshield wipers with adjustable speed	●	●	●	●	●
Power adjustable, heated, body-color side-view mirrors	●	●	●	●	●
Metallic paint	●	●	●	●	●
Chrome Line exterior trim	●	●	●	●	●
Shadowline exterior trim	□	□	□	□	□
Aerodynamic package					□
Distinctive dual exhaust tips					□

Interior seating	528i	528xi	535i	535xi	550i
Leatherette upholstery	●	●	●	●	
Dakota Leather upholstery and door trim	○/◇	○/◇	○/◇	○/◇	●
Split-folding lockable rear seats and ski bag	○	○	○	○	○
10-way power front seats with power head restraints	●	●	●	●	●
4-way power lumbar support for front seats	◇	◇	●	●	●
20-way power multi-contour front seats (includes articulated upper backrest, 4-way lumbar support, passenger's-seat memory, active head restraints, and adjustable side and thigh support)	○ <sup>7</sup> /□ <sup>7</sup>	○ <sup>7</sup> /□ <sup>7</sup>	○ <sup>7</sup> /□ <sup>7</sup>	○ <sup>7</sup> /□ <sup>7</sup>	○/□
Memory system for driver's seat, side-view mirrors, and steering wheel position	●	●	●	●	●
Open storage compartments in all doors and front seatback storage	●	●	●	●	●
Adjustable front center armrest	●	●	●	●	●
Dual center console compartments with provision for phone handset	●	●	●	●	●
Fold-up rear seat center armrest	●	●	●	●	●

<sup>5</sup> Due to low-profile tires, please note: wheels, tires and suspension parts are more susceptible to road hazard and consequential damages. Performance tires not recommended for driving in ice and snow. Spare is a space-saver wheel and tire.

<sup>6</sup> Requires Sport Package.

<sup>7</sup> Requires Dakota Leather upholstery.

Comfort and convenience	528i	528xi	535i	535xi	550i
Automatic climate control with separate left/right temperature and air distribution controls, with automatic air recirculation	●	●	●	●	●
Micro-filter ventilation system with replaceable active-charcoal filters	●	●	●	●	●
2-way power glass moonroof with remote, expanded "one-touch" operation, anti-trapping feature, and sliding interior sunshade	●	●	●	●	●
Automatic tilt-down of passenger's side-view mirror (when car is shifted into reverse gear)	●	●	●	●	●
Power tilt and telescopic steering wheel with automatic tilt-up	●	●	●	●	●
Power windows with key-off and "one touch" up and down operation both front and rear, anti-trapping feature, opening from remote, and closing from exterior lock	●	●	●	●	●
Power rear-window sunshade and manual rear side-window sunshades with 2 shade sections per door	○	○	○	○	○
Keyless entry with multi-function remote control	●	●	●	●	●
Comfort Access keyless entry with multi-function remote control	○	○	○	○	○
Interior courtesy lights with automatic dimming function	●	●	●	●	●
Front map lights and rear reading lights with separate controls for the left and right	●	●	●	●	●
Automatic-dimming interior rear-view mirror and power-folding exterior side-view mirrors	◇	◇	◇	◇	●
Dual front sun visors with illuminated mirrors	●	●	●	●	●
Dual cupholders in front and rear	●	●	●	●	●
3-stage heated front seats	○/★	○/★	○/★	○/★	○/★
3-stage heated rear seats <sup>8</sup>	○ <sup>9</sup>	○ <sup>9</sup>	○ <sup>9</sup>	○ <sup>9</sup>	○
Heated steering wheel	★	★	★	★	★
Fully finished trunk with drop-down tool kit and interior trunk release	●	●	●	●	●
Integrated 3-button Universal garage-door opener	◇	◇	◇	◇	●
Power outlet in front passenger's footwell, back of center console, and in trunk	●	●	●	●	●
Glove compartment	●	●	●	●	●

Audio system	528i	528xi	535i	535xi	550i
Anti-theft AM/FM stereo/CD audio system with 10 speakers, Auto-Store, FM diversity antenna system, and MP3 capabilities	●	●	●	●	●
Logic7 sound system with 13 speakers, Surround Sound, and Digital Sound Processing (including two subwoofers)	○	○	○	○	○
iPod and USB adaptor (includes cable connector)	○	○	○	○	○
6-disc CD changer mounted in glove compartment	△	△	△	△	△
Pre-wiring for BMW center installation of BMW 6-disc CD changer and SIRIUS Satellite Radio	●	●	●	●	●
Auxiliary audio input	●	●	●	●	●
HD Radio™ – receive free, digital AM/FM broadcasts in clear, static-free quality sound; "multicast" FM stations; and innovative data services; can be ordered in combination with optional Logic7 Surround Sound audio system	○	○	○	○	○
SIRIUS Satellite Radio <sup>10</sup>	○/△	○/△	○/△	○/△	○/△

- Standard
- Optional
- ▲ No-cost option
- ◇ Included in optional Premium Package
- Included in optional Sport Package
- ★ Included in optional Cold Weather Package
- △ Dealer-installed accessory

<sup>8</sup>Requires Cold Weather Package.

<sup>9</sup>Requires Dakota Leather upholstery.

<sup>10</sup>Please visit your authorized BMW center for details on equipment and services requirements.

<b>Instrumentation and controls</b>	<b>528i</b>	<b>528xi</b>	<b>535i</b>	<b>535xi</b>	<b>550i</b>
3-spoke leather-wrapped multi-function steering wheel with controls for audio system, cruise control, and Bluetooth® wireless communication for hands-free mobile phone <sup>11</sup>	●	●	●	●	●
3-spoke leather-wrapped multi-function sport steering wheel with controls for audio system, cruise control, and Bluetooth® wireless communication for hands-free mobile phone <sup>11</sup>	□	□	□	□	□
Electronic analog speedometer and tachometer and LCD main and trip odometers	●	●	●	●	●
Check Control vehicle monitor system	●	●	●	●	●
Start/Stop button	●	●	●	●	●
Head-up Display (HUD) <sup>12</sup>	○	○	○	○	○
NightVision <sup>13</sup>	○	○	○	○	○
iDrive system with on-board computer and Controller, and 6 programmable memory buttons	●	●	●	●	●
Exterior temperature display with alarm for freezing temperatures	●	●	●	●	●
Active Cruise Control (ACC) <sup>14</sup>	○	○	○	○	○
BMW Navigation system with controller with voice feedback, Voice Command System and Real Time Traffic Information	○	○	○	○	○
Vehicle & Key Memory	●	●	●	●	●
Tire Pressure Monitor	●	●	●	●	●

<b>Safety and security</b>	<b>528i</b>	<b>528xi</b>	<b>535i</b>	<b>535xi</b>	<b>550i</b>
Driver's and passenger's front airbag supplemental restraint system (SRS) with dual-threshold deployment, 2-stage Smart Airbags	●	●	●	●	●
Front- and rear-seat Head Protection System	●	●	●	●	●
Front-seat side-impact airbags	●	●	●	●	●
Rear-seat side-impact airbags and automatic pretensioners on rear outboard safety belts	○	○	○	○	○
Lane Departure Warning feature that alerts the driver of an improper lane-changing maneuver	○ <sup>15</sup>	○ <sup>15</sup>	○ <sup>15</sup>	○ <sup>15</sup>	○
Front safety belts with automatic pretensioners and force limiters	●	●	●	●	●
Active Head Restraints in front seats <sup>16</sup>	○ <sup>9</sup> /□ <sup>9</sup>	○ <sup>9</sup> /□ <sup>9</sup>	○ <sup>9</sup> /□ <sup>9</sup>	○ <sup>9</sup> /□ <sup>9</sup>	○/□
Automatic locking retractors (ALR) on all safety belts (for installation of child-restraint seats)	●	●	●	●	●
Interlocking door anchoring system to help protect against door intrusion in side impacts	●	●	●	●	●
BMW's Advanced Safety System for integrated deployment of passive and active safety features	●	●	●	●	●
Impact sensor that activates Battery Safety Terminal disconnect of alternator, fuel pump and starter from battery; and turns on hazard lights, interior lights and unlocks doors	●	●	●	●	●
Coded Driveaway Protection (prevents engine start when your key with constantly changing electronic code is not used)	●	●	●	●	●
Remote keyless entry security alarm system with selective unlocking and double-lock feature (programmed at BMW center), remote trunk opening, interior motion detector, and panic feature	●	●	●	●	●
Adaptive Brake Lights	●	●	●	●	●
BMW Assist™ with Bluetooth® wireless technology for hands-free calling (with Bluetooth-enabled mobile phone <sup>11</sup> ), phonebook downloading and speech recognition capabilities	●	●	●	●	●

<b>BMW Services</b>	<b>525i</b>	<b>525xi</b>	<b>530i</b>	<b>530xi</b>	<b>550i</b>
BMW Ultimate Service™	●	●	●	●	●

<sup>11</sup> If so equipped. Check for a list of BMW-compatible Bluetooth-enabled mobile phones at your authorized BMW center or [bmwusa.com](http://bmwusa.com).

<sup>12</sup> Requires Navigation system; not available with green band windshield.

<sup>13</sup> Requires Navigation system and Cold Weather Package.

<sup>14</sup> Requires STEPTRONIC automatic transmission in 528i/528xi and 535xi; requires STEPTRONIC automatic or Sport Automatic transmission in 535i and 550i.

<sup>15</sup> Requires Premium Package.

<sup>16</sup> Included with 20-way multi-contour front seats.

Premium Packages	528i	528xi	535i	535xi	550i
Dakota Leather upholstery and door trim	○◇	○◇	○◇	○◇	●
4-way power lumbar support for front seats	◇	◇	●	●	●
Integrated 3-button Universal garage-door opener	◇	◇	◇	◇	●
Automatic-dimming interior rear-view mirror and power-folding exterior side-view mirrors	◇	◇	◇	◇	●

Sport Packages	528i <sup>17</sup>	528xi <sup>17</sup>	535i <sup>17</sup>	535xi <sup>17</sup>	550i
18 x 8.0 Star Spoke (Style 246) cast alloy wheels, 245/40R-18 run-flat performance tires <sup>18, 19</sup>	□	○ <sup>20</sup>			
18 x 8.0 front, 18 x 9.0 rear Star Spoke (Style 124) cast alloy wheels, 245/40R-18 front, 275/35R-18 rear run-flat performance tires <sup>18, 19</sup>			□	○ <sup>20</sup>	
19 x 8.5 front, 19 x 9.5 rear Double Spoke (Style 172M) cast alloy wheels, 245/35R-19 front, 275/30R-19 rear performance tires <sup>18, 19</sup>					□
3-spoke leather-wrapped multi-function sport steering wheel with controls for audio system, cruise control, and Bluetooth® wireless communication for hands-free mobile phone <sup>21</sup>	□	□	□	□	□
20-way power multi-contour front seats (includes articulated upper backrest, 4-way lumbar support, passenger's-seat memory, active head restraints, and adjustable side and thigh support)	○ <sup>17</sup> □ <sup>17</sup>	○ <sup>17</sup> □ <sup>17</sup>	○ <sup>17</sup> □ <sup>17</sup>	○ <sup>17</sup> □ <sup>17</sup>	○□
Active Roll Stabilization (ARS)	□		□		□
Sport suspension calibration	□		□		
Shadowline exterior trim	□	□	□	□	□
Aerodynamic package					□
Retuned sport suspension calibration					□
Shorter shifter for manual transmission					□
Distinctive dual exhaust tips					□

Cold Weather Package	528i	528xi	535i	535xi	550i
3-stage heated front seats	○★	○★	○★	○★	○★
High-pressure headlight cleaning system	★	★	★	★	★
Heated steering wheel	★	★	★	★	★

- Standard
- Optional
- ▲ No-cost option
- ◇ Included in optional Premium Package
- Included in optional Sport Package
- ★ Included in optional Cold Weather Package
- △ Dealer-installed accessory

<sup>17</sup> Requires Dakota Leather upholstery.

<sup>18</sup> Due to low-profile tires, please note: wheels, tires and suspension parts are more susceptible to road hazard and consequential damages.

Performance tires not recommended for driving in ice and snow.

<sup>19</sup> Spare is a space-saver wheel and tire.

<sup>20</sup> Requires Sport Package.

<sup>21</sup> If so equipped. Check for a list of BMW-compatible Bluetooth-enabled mobile phones at your authorized BMW center or [bmwusa.com](http://bmwusa.com).



Technical data

<b>Weight</b>		<b>528i</b>	<b>528xi</b>	<b>535i</b>	<b>535xi</b>	<b>550i</b>
Unladen						
Manual transmission	lbs	3505	3670	3660	TBD	3946
STEPTRONIC automatic transmission	lbs	3571	3704	3703	3946	3968
Sport Automatic transmission	lbs			TBD		TBD
Weight distribution, front/rear						
Manual transmission	%	49.7/50.3	51.8/48.2	51.2/48.8	TBD/TBD	51.4/48.6
STEPTRONIC automatic transmission	%	50.3/49.7	52.0/48.0	51.8/48.2	53.4/46.6	51.7/48.3
Sport Automatic transmission	%			TBD/TBD		TBD/TBD

<b>Engine</b>		<b>528i</b>	<b>528xi</b>	<b>535i</b>	<b>535xi</b>	<b>550i</b>
Liter/type		3.0/inline 6	3.0/inline 6	3.0/inline 6	3.0/inline 6	4.8/V-8
Bore/stroke	inch	3.35x3.46	3.35x3.46	3.31x3.53	3.31x3.53	3.66x3.48
Nominal output/rpm	hp	230/6500	230/6500	300/5800	300/5800	360/6300
Max. torque/rpm	lb-ft	200/2750	200/2750	300/1400-5000	300/1400-5000	360/3400
Compression ratio	:1	10.7	10.7	10.2	10.2	10.5
Fuel grade		unleaded premium	unleaded premium	unleaded premium	unleaded premium	unleaded premium

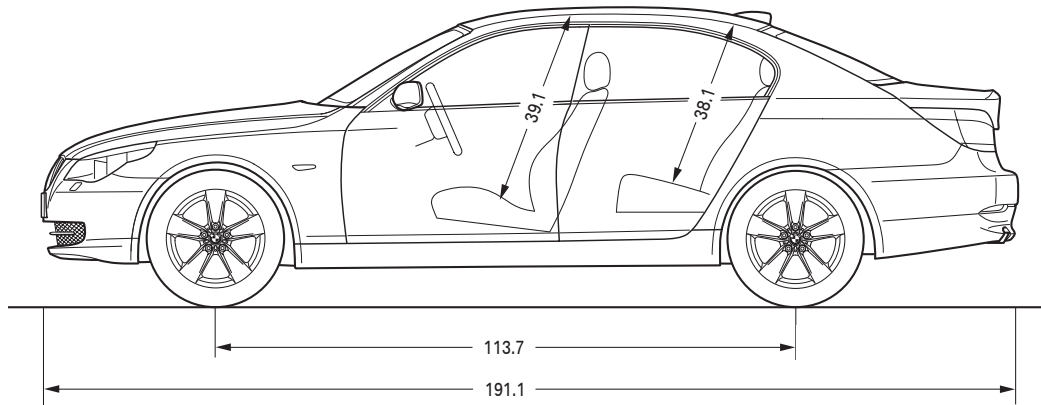
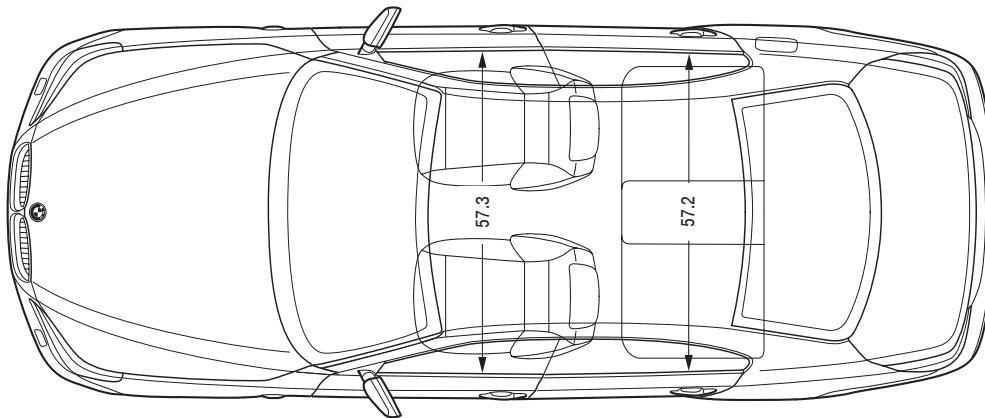
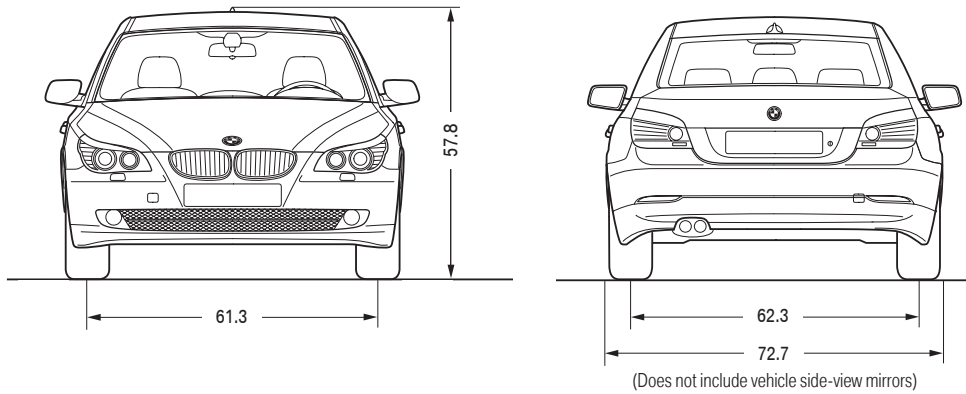
<b>Transmission</b>		<b>528i</b>	<b>528xi</b>	<b>535i</b>	<b>535xi</b>	<b>550i</b>
Manual gear ratios	I/II/III :1	4.32/2.46/1.66	4.35/2.50/1.67	4.06/2.40/1.58	TBD/TBD/TBD	4.06/2.40/1.58
	IV/V/VI/R :1	1.23/1.00/0.85/3.94	1.23/1.00/0.85/3.93	1.19/1.00/0.87/3.68	TBD/TBD/TBD/TBD	1.19/1.00/0.87/3.68
	Final drive ratio :1	3.38	3.46	3.08	TBD	2.93
STEPTRONIC automatic gear ratios	I/II/III :1	4.17/2.34/1.52	4.17/2.34/1.52	4.17/2.34/1.52	4.17/2.34/1.52	4.17/2.34/1.52
	IV/V/VI/R :1	1.14/0.87/0.69/3.40	1.14/0.87/0.69/3.40	1.14/0.87/0.69/3.40	1.14/0.87/0.69/3.40	1.14/0.87/0.69/3.40
	Final drive ratio :1	3.73	3.91	3.64	3.46	3.38

<b>Performance</b>		<b>528i</b>	<b>528xi</b>	<b>535i</b>	<b>535xi</b>	<b>550i</b>
Drag coefficient	C <sub>d</sub>	0.29 (0.28)	0.29 (0.28)	0.29	TBD (0.31)	0.29
Top speed <sup>1</sup>	mph	150	150	150	150	150
Acceleration 0–60 mph <sup>2</sup>						
Manual transmission	sec	6.5	7.1	5.6	TBD	5.4
STEPTRONIC automatic transmission	sec	7.1	7.6	5.7	5.6	5.5
Sport Automatic transmission	sec			TBD		TBD

<b>Fuel consumption<sup>3</sup></b>		<b>528i</b>	<b>528xi</b>	<b>535i</b>	<b>535xi</b>	<b>550i</b>
Manual transmission						
City/highway	mpg	TBD/TBD	TBD/TBD	TBD/TBD	TBD/TBD	17/24
STEPTRONIC automatic transmission						
City/highway	mpg	TBD/TBD	TBD/TBD	TBD/TBD	TBD/TBD	17/25
Fuel capacity	gal	18.5	18.5	18.5	18.5	18.5

<b>Tires and wheels</b>		<b>528i</b>	<b>528xi</b>	<b>535i</b>	<b>535xi</b>	<b>550i</b>
Tire dimensions	standard	225/50R-17	225/50R-17	225/50R-17	225/50R-17	225/50R-17
Wheel dimensions	standard	17x7.5	17x7.5	17x7.5	17x7.5	17x8.0
Material	standard	cast alloy	cast alloy	cast alloy	cast alloy	cast alloy

<b>Brakes</b>		<b>528i</b>	<b>528xi</b>	<b>535i</b>	<b>535xi</b>	<b>550i</b>
Front – diameter	in	12.8	12.8	13.7	13.7	13.7
Rear – diameter	in	12.6	12.6	13.6	13.6	13.6



All dimensions are shown in inches and apply to models with standard wheels.  
NOTE: Measurements do not include vehicle width from mirror to mirror.

Figures in ( ) apply to vehicles with automatic transmission, if different from manual transmission.

<sup>1</sup>Top speed limited electronically.

<sup>2</sup>BMW AG test results. Actual acceleration results may vary, depending on specification of vehicle; road and environmental conditions; testing procedures and driving style. These results should be used for comparison only and verification should not be attempted on public roads. BMW urges you to obey all posted speed laws and always wear safety belts.

<sup>3</sup>Fuel consumption figures not available at time of printing. Please refer to [bmwusa.com](http://bmwusa.com) for fuel consumption information. EPA-estimated figures are for comparison purposes only. Your actual mileage will vary, depending on speed, driving habits, trip length and driving conditions; actual mileage will most likely be lower.

U.S. Importer: BMW of North America, LLC, Woodcliff Lake, NJ 07677. All illustrations and specifications contained in this brochure are based on the latest product information available at the time of printing. BMW reserves the right to make changes at any time, without notice, in colors, materials, equipment, specifications and models. BMW may, subject to legal requirements, determine the Model Year designation of its vehicles.

The Model Year designation on any particular model may be longer or shorter than 12 months. Some vehicles pictured may contain non-U.S. equipment. Some models may be shown with optional equipment. While BMW NA makes all reasonable efforts to provide accurate information in this brochure, there is no guarantee or warranty of accuracy. Furthermore, we do not assume any liability for the accuracy or completeness of information presented. This brochure shall not be used or relied upon as a substitute for information that is available from your BMW center. Further information can be obtained from your authorized BMW center or [bmwusa.com](http://bmwusa.com).

©2007 BMW of North America, LLC. Not to be reproduced wholly or in part without written permission of BMW NA. The BMW name, model names and logo are registered trademarks. The Bluetooth word mark and logos are owned by the Bluetooth SIG, Inc. and any use of such marks by BMW is under license. Other trademarks and trade names are the property of their respective owners.